

# ERO PROCUT TRIMMER



# ERO PROCUT TRIMMER

Clean cutting at high speeds, easy to operate and designed for long life and reliability, the ERO ProCut Vine trimmer ticks all the boxes. The new cutter blade is manufactured from high grade stainless steel with a special shape and deformed edge to ensure a surgical cut and suction of debris from the vines, as well as reducing wire damage. The aluminium cutterboard is fully sealed against dirt and debris and the new multi-rib belt system requires no tensioning. The 'Comfort' joystick with smooth, light touch action has a split control box to aid positioning in the cab.

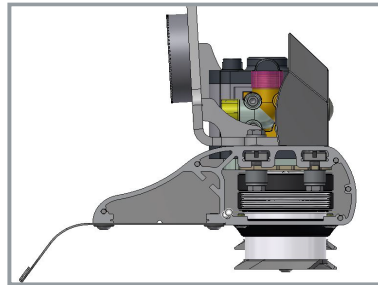
No compromises; German design and quality manufacture.

## STANDARD EQUIPMENT AND FEATURES:

- Hardened stainless steel blades with suction effect and wire rejection feature
- Sealed aluminum cutterboard with multi-rib belts for long life and low maintenance
- 'Multi-mast' design allows quick connection to other ERO and FMR equipment
- 'Comfort' joystick system with 'soft-touch' and split control box for convenience and operator comfort
- All sliding surfaces Teflon™ bushed for long life
- Oil requirement only 22L/min
- Independent break-away system on each cutterboard prevents damage in event of accidental impact
- Cutterboard foils for clearing canes & preventing jamming
- Wide range of optional hydraulic adjustments:
  - Vertical board angle
  - Horizontal board angle and position
  - Main mast angle

## CONFIGURATION OPTIONS:

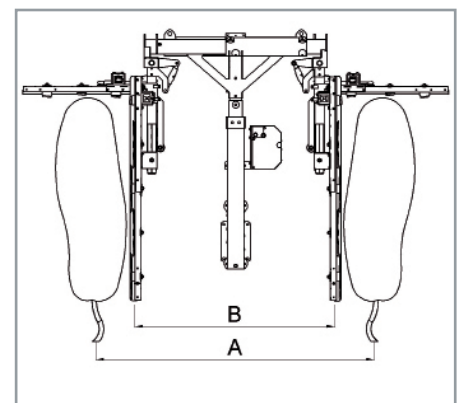
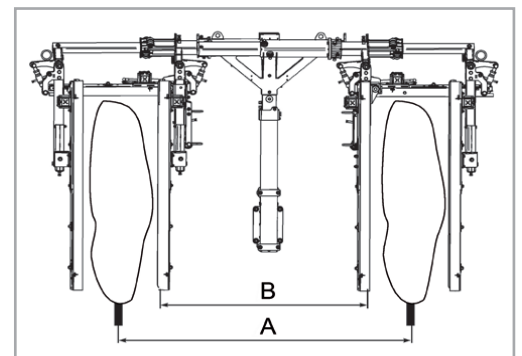
- Single In-Row
- Single Over-Row
- Double In-Row
- Double Over-Row



CROSS SECTION OF CUTTER



COMFORT JOYSTICK



## MODEL SPECIFICATIONS

Version	Width of head piece	Model
IV	A : Row width: 1.38m – 2.18m B : Cutting width: 0.88m – 1.68m	PX00827
I	A : Row width: 1.60m – 2.70m B : Cutting width: 1.10m – 2.20m	PX00752
V	A : Row width: 1.60m – 3.00m B : Cutting width: 1.10m – 2.50m	PX00753A
II	A : Row width: 1.80m – 3.00m B : Cutting width: 1.30m – 2.50m	PX00753
VI	A : Row width: 1.80m – 3.50m B : Cutting width: 1.30m – 3.00m	PX00753B
III	A : Row width: 2.10m – 3.50m B : Cutting width: 1.60m – 3.00m	PX00754
V	A : Row width: 1.60m – 3.00m B : Cutting width: 1.10m – 2.50m	PX00878
III	A : Row width: 2.10m – 3.50m B : Cutting width: 1.60m – 3.00m	PX00880