



MF 2370 Ultra HD Baler

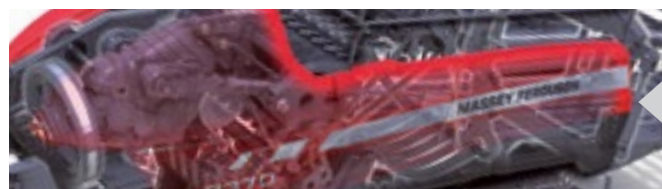


FROM MASSEY FERGUSON

Contents



Page 04
The New MF 2370 Ultra High Density Baler



Page 06
Superior strength and stylish design working for you



Page 10
State-of-the-art gearbox and high performance flywheel



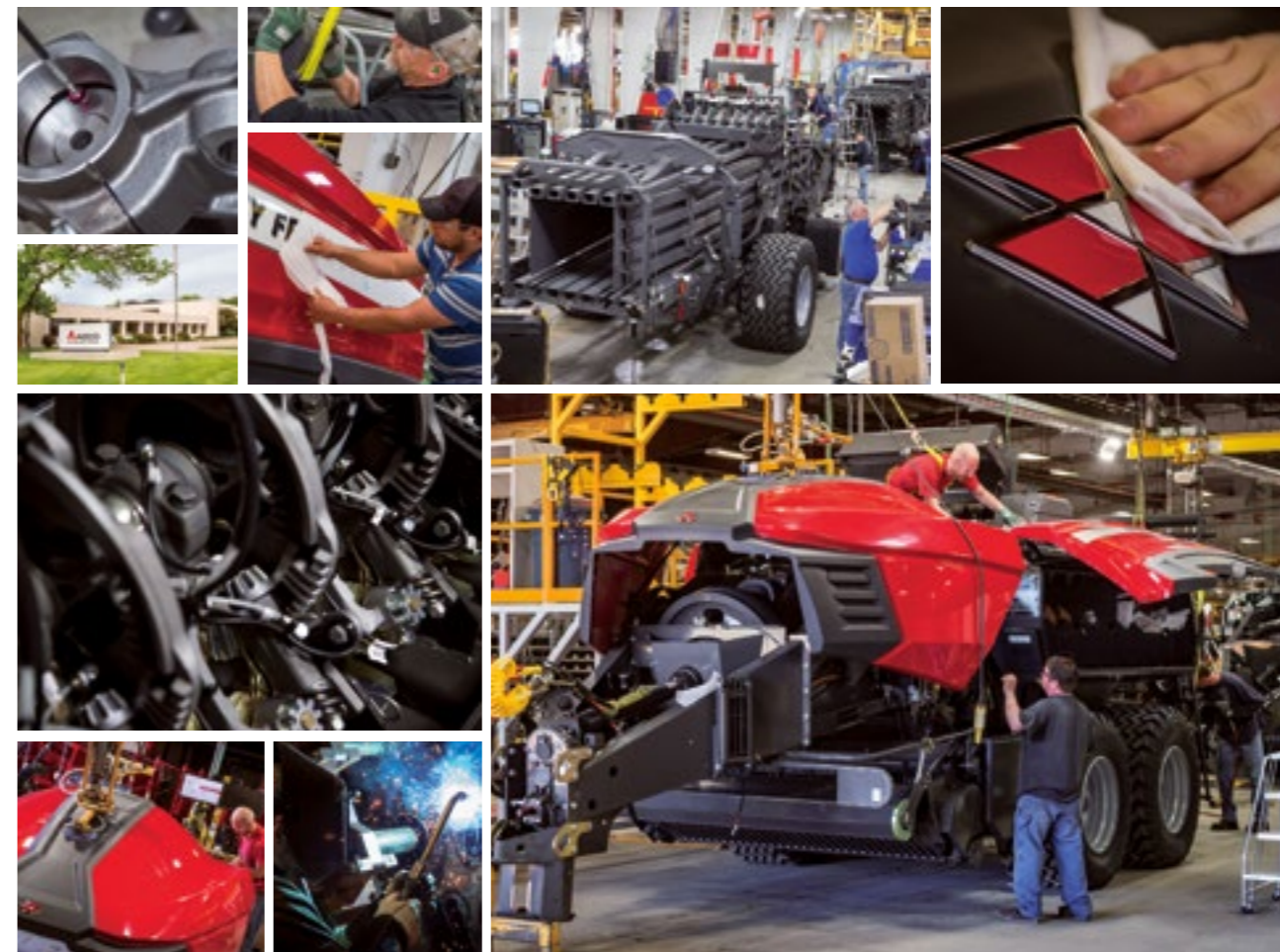
Page 15
OptiForm Ultra bale chamber



Page 16
Heston-designed Ultra Knotters deliver unrivalled reliability

- 03 Hesston, Kansas - Centre of engineering excellence and manufacturing
- 04 The New MF 2370 Ultra High Density Baler
- 05 World-leading density and performance
- 06 MF 2370 UHD Baler Superior strength and stylish design working for you
- 08 OptiFlow Pick-up delivers unrivalled performance
- 09 Industry-leading pre-compression system
- 10 State-of-the-art gearbox and high performance flywheel
- 11 Ultra Gearbox and UltraPress™ Plunger
- 12 Lightest baler produces heaviest bales around the clock
- 15 OptiForm Ultra bale chamber
- 16 Heston-designed Ultra Knotters deliver unrivalled reliability
- 17 Exclusive EasyFill twine boxes
- 18 Strongest Ultra HD twine for most dense bales
- 19 Exclusive BaleCreate user interface
- 20 Servicing made easy
- 22 Specifications

Hesston, Kansas | the home of the large square baler



Hesston is a small town in Kansas, which has made a huge global impact on agriculture. For more than 70 years for farmers and contractors across the world, Hesston means innovative, high quality, harvesting equipment.

The home of AGCO's hay and forage centre of excellence, Hesston has led the industry with hay and forage equipment innovations since 1947 – introducing 50 individual patents on the first ever large square baler, produced in 1978.

With hundreds of other patents to its credit, the Hesston factory continues to be at the forefront of the forage machinery and harvesting fields, producing a full line of equipment including mowing systems, conventional, round and large square balers including the new MF 2370 Ultra High Density model and a range of self-propelled windrowers. These are built alongside the innovative rotary combines and marketed across the globe.

Benefit from ultra dense bales

Developed specifically for discerning professional contractors and large-scale arable operators, the MF 2370 Ultra HD baler delivers the density, weight and consistency demanded by the fast-growing bio-energy sector and other industrial operations.

Introducing state-of-the-art engineering in all areas, the MF 2370 Ultra HD is in a class of its own, producing 20% heavier bales. It delivers market-leading density, capacity and performance.

Packing up to 20% more material into the increasingly popular 120cm x 90cm bale size boosts all-round efficiency. Fields are cleared faster with less handling, which protects the sward and soil, with the dense bales maximising truck payloads to cut transport and storage costs.

The MF 2370 Ultra HD is the highest performing baler ever built by the world-renowned Hesston plant, adding a new dimension to Massey Ferguson's respected, high quality MF 2200 Series.

Highlights

- Developed specifically for professionals supplying the expanding bio-energy and industrial sectors
- Innovative, advanced design delivers ultimate performance
- Ultra density 120cm x 90cm bales
- 20% heavier bales enable fields to be cleared quickly with less compaction and make optimum use of transport and storage space.



MF 2370 Ultra HD Baler World-leading density and performance

Advanced, superior design and uncompromising engineering ensure professional contractors and large scale arable farmers can depend on the MF 2370 Ultra HD to deliver perfectly formed, Ultra dense bales all day, every day.

Massey Ferguson large square balers, built in Hesston, are the undisputed industry benchmark, chosen by professionals across the world for their reliability, durability and low cost of ownership.

Innovative design, unrivalled experience and the highest quality combine to provide class-leading productivity and performance with rock solid reliability.



MF 2370 Ultra HD Baler

Superior strength and stylish design working for you

Unique Ultra™ Gearbox developed specifically to handle the load

Sleek practical style – just three easy-to-open panels provide superb access for service

50% faster flywheel maintains momentum

Immensely strong main frame

Longer drawbar offers excellent pick-up visibility

Straightforward starting - no need for hydraulic starting assistance

OptiFlow™ Pick-up increases feeding capacity by 20%

Light, hard-wearing polypropylene wrapper bands

Supremely reliable Hesston designed and built Ultra™ Knotters

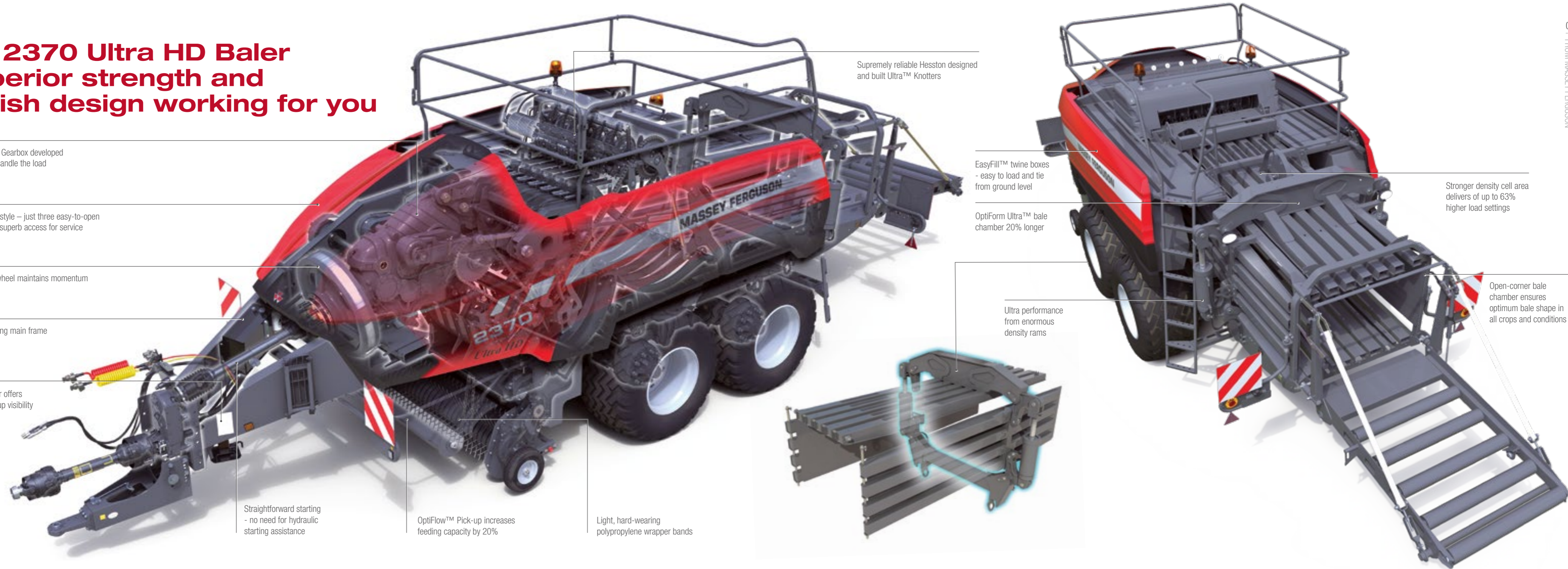
EasyFill™ twine boxes - easy to load and tie from ground level

OptiForm Ultra™ bale chamber 20% longer

Ultra performance from enormous density rams

Stronger density cell area delivers of up to 63% higher load settings

Open-corner bale chamber ensures optimum bale shape in all crops and conditions



New OptiFlow Pick-up delivers unrivalled performance

Highlights

- 20% higher capacity
- Exceptional flotation and ground following
- 80 double curved tip tines ensure optimum performance
- Light, durable polypropylene wrapper bands
- Positive, powered feeding system
- Augers force crop into the pre-compression system
- Unrivalled flow for Ultra density



With 20% greater feeding capacity, the leading-edge OptiFlow Pick-up ensures the MF 2370 Ultra HD baler consistently delivers maximum output.

Developed specifically to present an even, continuous feed of material to match the baler's enormous appetite, the OptiFlow Pick-up also offers outstanding flotation and ground following thanks to its innovative design.

By pivoting around the lower auger, there's less to lift. Durable polypropylene wrapper bands further lighten the load, reduce noise and are quick and easy to replace.

Optimum feeding performance is provided by 80 curved tip double tines, on five tine bars that carefully lift more crop, particularly shorter, delicate material.

Large cross augers and a full-width, driven and floating, top auger further improve feeding by powering the crop to the central feeder. This positive, powered feeding maintains a smooth and constant material flow into the baler.

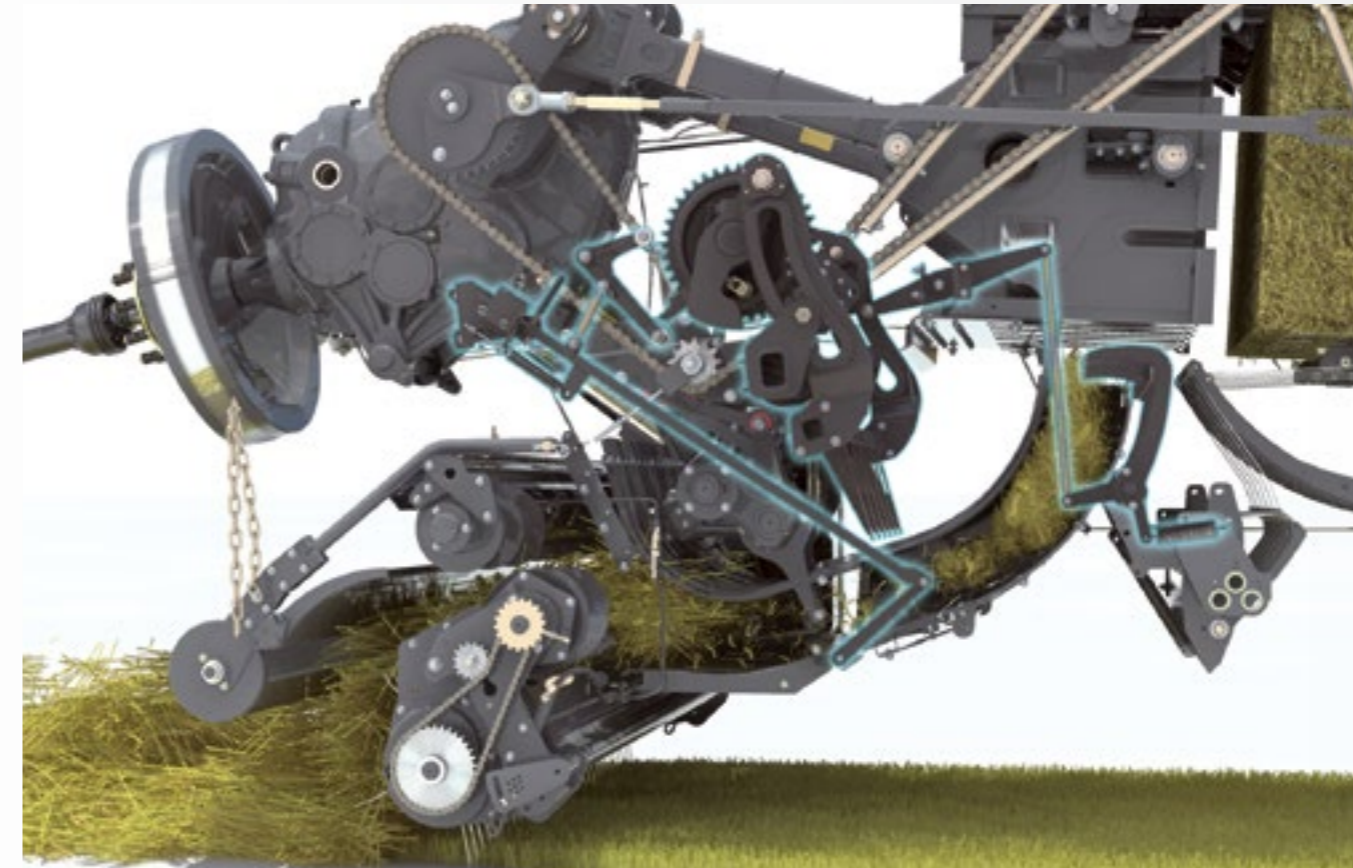
Perfectly formed Ultra dense bales begin with pre-compression

Key to the MF 2370 Ultra HD's unrivalled density is its industry-leading pre-compression system. High compression of the incoming material creates denser and more even flakes – each and every time.

The high capacity packer fork begins the process by gathering and transporting the material 14% faster into the pre-compression chamber, compared with the

MF 2270 XD model. Once full, the high-speed stuffer fork delivers the perfectly formed flake into the bale chamber, with optimum capacity.

This tried and tested Hesston-designed system performs flawlessly in all crops and conditions, making perfectly shaped, consistent density bales, which are easy and safe to stack for storage and transport.



14% faster pre-compression chamber filling

Highlights

- Well-proven Hesston-designed technology
- Ensures perfect bale shape
- 14% faster packer fork operation
- Consistent flake formation
- Perfect filling to top of chamber
- Excels in all crop conditions

State-of-the-art gearbox and high performance flywheel

It takes intelligent design and exceptional engineering to boost bale density to efficiently pack 20% more material into the same 120cm x 90cm bale size.

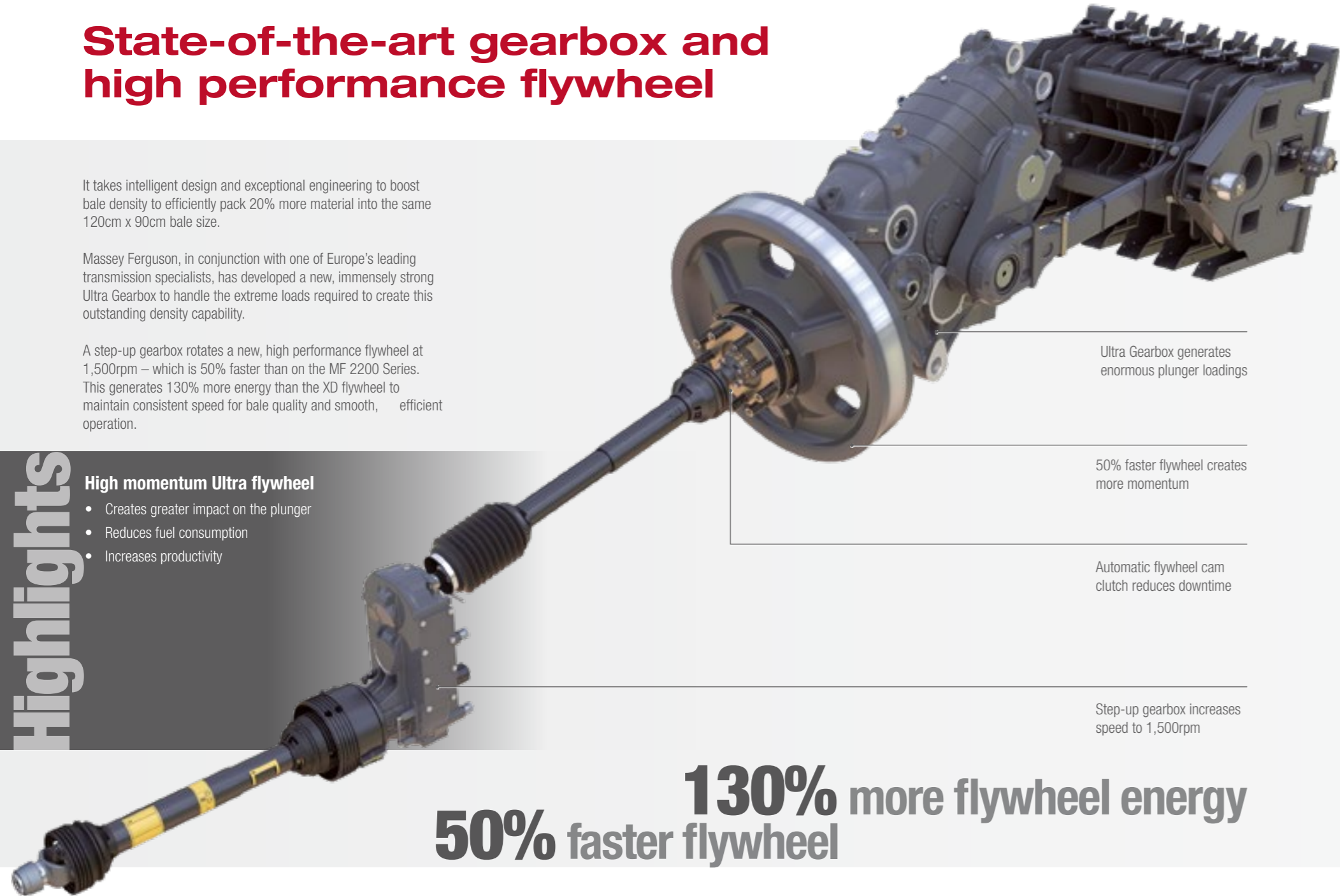
Massey Ferguson, in conjunction with one of Europe's leading transmission specialists, has developed a new, immensely strong Ultra Gearbox to handle the extreme loads required to create this outstanding density capability.

A step-up gearbox rotates a new, high performance flywheel at 1,500rpm – which is 50% faster than on the MF 2200 Series. This generates 130% more energy than the XD flywheel to maintain consistent speed for bale quality and smooth, efficient operation.

Highlights

High momentum Ultra flywheel

- Creates greater impact on the plunger
- Reduces fuel consumption
- Increases productivity



Ultra Gearbox generates enormous plunger loadings

50% faster flywheel creates more momentum

Automatic flywheel cam clutch reduces downtime

Step-up gearbox increases speed to 1,500rpm

50% faster flywheel
130% more flywheel energy

The new Ultra Gearbox design ingeniously divides the speed reduction between two separate gears, which unite drive back onto the output gear to transmit immense torque within a compact design.

Designed and built using the most up-to-date precision engineering, the Ultra Gearbox combines unmatched power delivery with up-most efficiency. Together with the faster flywheel this results in a smooth drive to the plunger for unparalleled performance.

An automatic cam clutch protects the entire driveline. This straightforward and reliable system cuts downtime, with no need to stop to replace shearbolts.

Straightforward, high specification roller chain and sprocket drives on the MF 2370 UHD baler are hard-wearing and operate very efficiently. Supplied by industry-leading 'Diamond Chain Company', they are world-renowned for quality, performance and reliability.

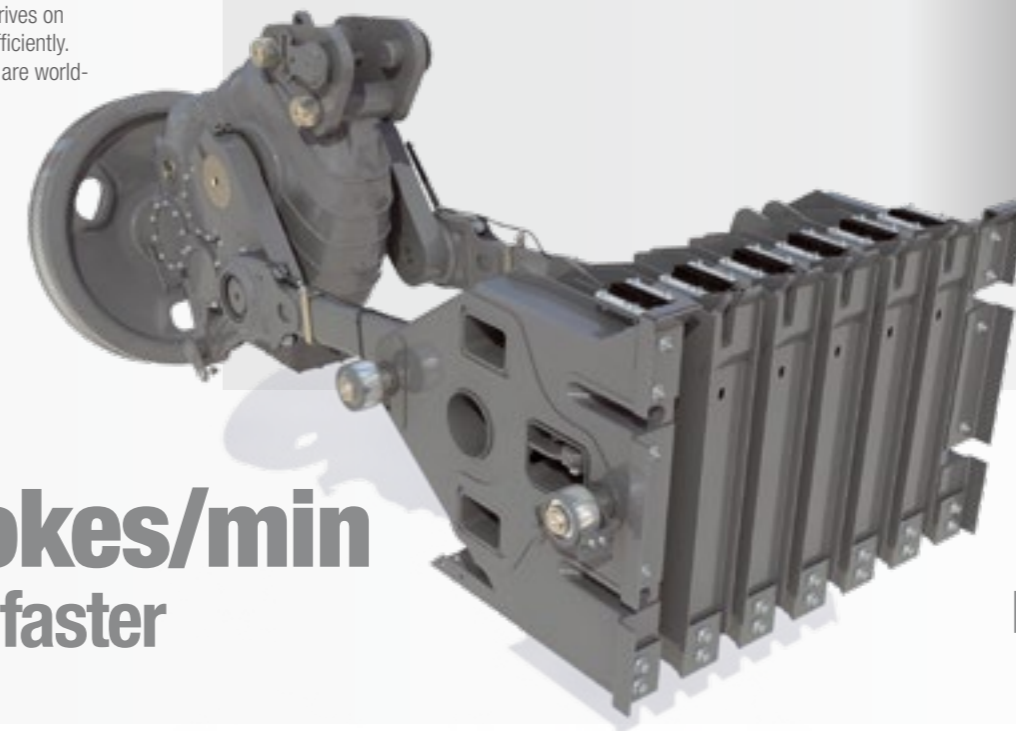
50 strokes/min
6.5% faster

760kN
 maximum load

UltraPress™ Plunger – the power behind the Ultra dense bales

It takes an industry-leading, extreme plunger force of up to 760kN to make Ultra Density, 20% heavier bales.

As well as boosting bale weight and density, a significant, 6.5% plunger speed increase to 50 strokes/min also enhances capacity and performance.



Highlights

- Massey Ferguson UltraPress™ plunger 50 strokes/min
- Unrivalled maximum plunger load of 760kN – in a class of its own
- Processes more crop, more effectively
- Creates Ultra dense bales up to 20% heavier
- Renowned Hesston design for strength and reliability

Lightest strong baler produces heaviest bales around the clock

Day and night, the MF 2370 Ultra HD baler works hard, consistently and reliably delivering the highest baling performance to create the heaviest, most dense large square bales, bio-energy and industrial operations demand.

Weighing just 10.8t, the nimble MF 8700 Series tractors are the perfect power unit, with the Dyna-VT transmission ensuring the baler always works at the ideal speed to deliver optimum performance and efficiency.

Standard 620mm wide tyres on the steering tandem axle provide a large footprint to spread the baler's weight, protecting the precious sward from damage and soil from compaction.

Highlights

At 13.4t the MF 2370 Ultra HD baler weighs less than other machines.

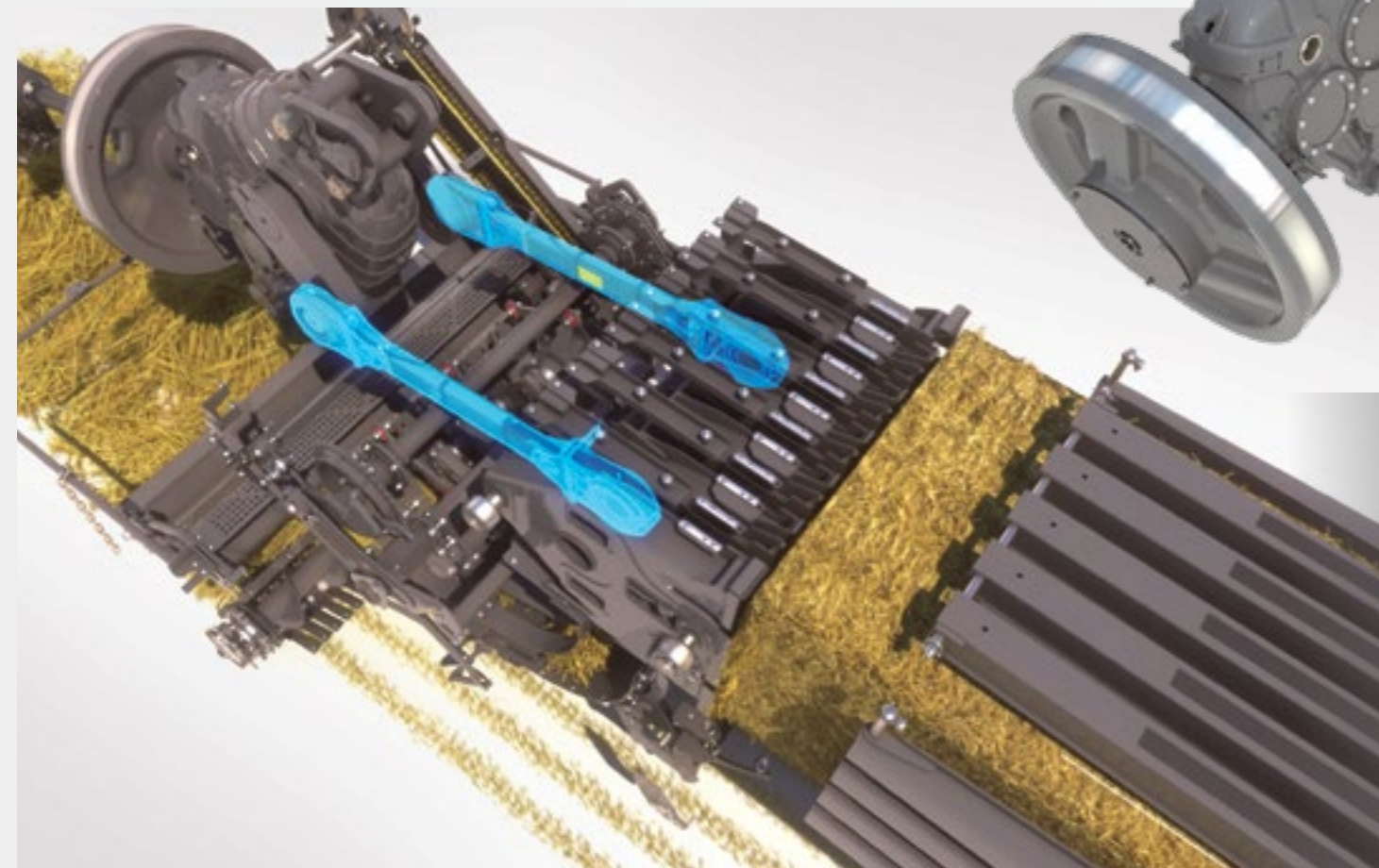
- Choice of radial tyres
- Wide tyres protect the soil structure
- Steering tandem axle
- Heaviest bales from lightest baler



Automatic control delivers consistent Ultra density

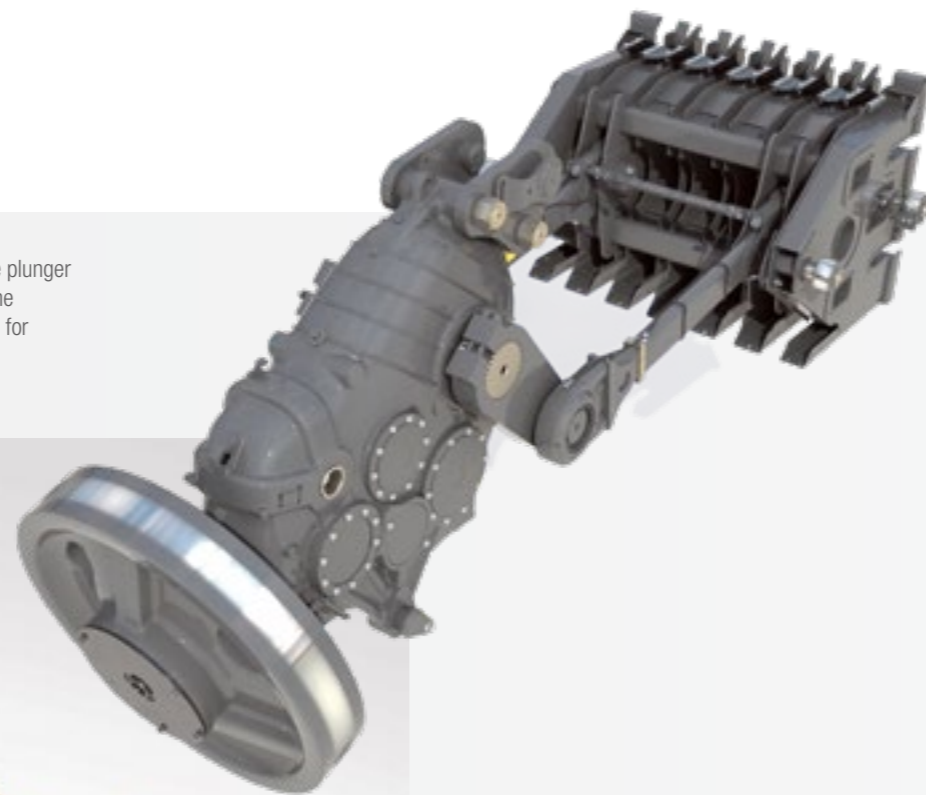
Fully automatic density control delivers consistently dense, well-formed bales every time thanks to advanced, straightforward control using the latest Massey Ferguson **BaleCreate** user interface.

Sensors in the connecting rods monitor the load on the plunger face, ensuring the double-acting density rams adjust the OptiForm Ultra bale chamber side doors and top press, for optimum settings to create Ultra density bales.



Highlights

- Fully automatic density system
- Three-way density control
- Latest BaleCreate user interface
- Straightforward dependable operation



OptiForm Ultra bale chamber creates unrivalled Ultra density bales

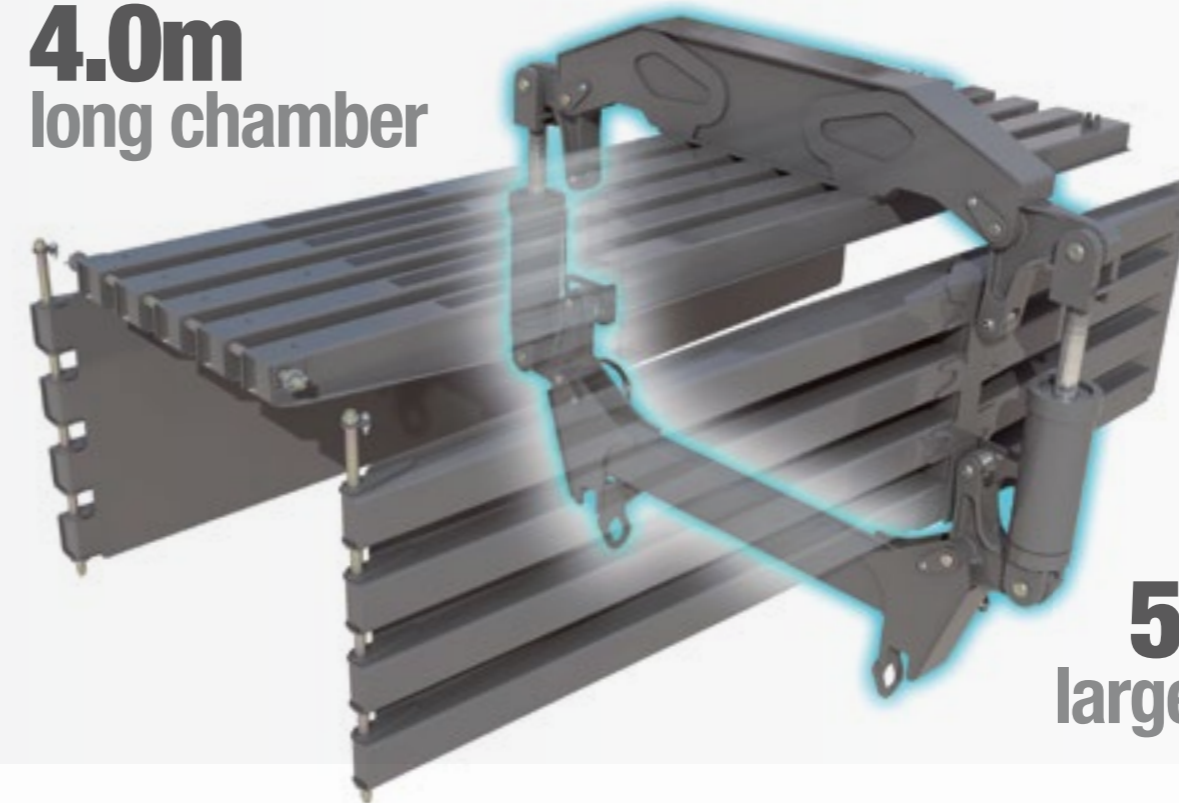
It takes supreme design, strength and unparalleled Hesston engineering expertise to create a bale chamber tough and reliable enough to make Ultra density bales day in, day out over long, demanding seasons.

OptiForm Ultra delivers the density. To handle the enormous capacity the 4.0m long chamber is 20% longer than the MF 2270 XD model.

Its new, practical open corner design prevents debris accumulating, which maintains optimum bale shape in all crops and conditions.

Wrapped around the chamber is the immensely strong, heavy-duty density ring, engineered specifically to handle the substantial loads imposed by Ultra High Density settings. Huge 178mm diameter density rams – 55% larger than ever before – exert extreme loads to the sides and top of the bale to generate a maximum 760kN plunger force.

4.0m long chamber



55% larger rams



Highlights

- OptiForm Ultra bale chamber creates unrivalled density
- 4.0m long chamber for enhanced bale shape
- 0.7m and 20% longer than current XD baler
- Huge 178mm diameter density rams
- Maximum 760kN plunger load

Ultra Knotters deliver unrivalled reliability

MF 2370 Ultra HD bales are tied by the renowned double knot system, which was pioneered by Hesston engineers and has an unrivalled reputation for rock solid reliability.

Consistent, trouble-free operation is assured because Hesston double knotters tie two knots in each string around the bale. Twines are under far less tension, compared with tying a single knot, which results in consistent tying each time, every time.

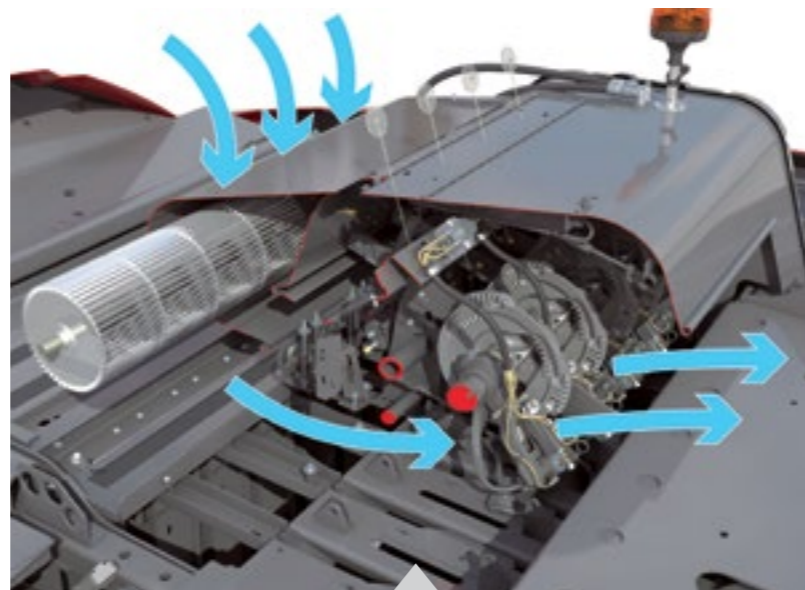
The latest Ultra Knotters are specifically designed to handle the strain when using new, stronger and thicker twine developed for tying 20% heavier Ultra dense bales.

Ultra Knotter components are larger and stronger to improve performance and durability.

Six knotters spaced evenly across the bale width help keep the area clear of debris, for reliable tying, bale after bale. Knotters are easily lifted for cleaning, with maintenance time reduced by AutoLube, automatic knotter lubrication.



6 Hesston-designed Ultra Knotters



Fan blasts away debris

A highly efficient hydraulically-driven fan keeps the knotters clear to further improve tying reliability. Developed using state-of-the-art airflow modelling, its controlled air blast efficiently clears debris more effectively to maintain trouble-free knotter operation.

Highlights

- Six Hesston-designed Ultra Knotters
- Renowned double-knot system
- Easy to tie
- Knots formed without twine under tension
- Designed for use with thicker, stronger twine
- Six well-spaced knotters enable effective cleaning

Quick and simple twine loading with EasyFill storage

Exclusive EasyFill twine boxes hold a total of 36 super-sized spools of twine in two rows of nine - plenty for the longest day's work. Six knotters use less twine, which cuts costs and reduces downtime from refilling.

EasyFill boxes are effortlessly loaded from the ground, with no complex lowering mechanism. Twine spools are stored at a slight angle, which makes them easier to slide in place and tie together. Moreover, a quick glance at the spools allows the operator to see how much twine has been used.



Highlights

The twine boxes swing forward easily to provide superb access for servicing and maintenance.

- State-of-the-art knotter fan design
- Unrivalled knotter cleaning
- EasyFill twine boxes hold 36 spools
- Effortless filling from the ground

EasyFill holds 36 spools



Strongest twine for most dense bales

Massey Ferguson has worked closely with leading manufacturers to develop a twine with incredible strength that is a prerequisite for ultra high density bales.

Extensive field and lab testing have defined the correct specification. For European markets, Massey Ferguson's specialist twine partner, Tama, offers Ultra HD Twine that is the perfect match and factory-approved for the MF 2370 UHD Baler.

As well as being resilient, with tremendous strength and knot performance, the twine design provides continuous smooth running. This allows it to flow freely from the high capacity spools, helping maintain optimum productivity.



Highlights

Strong twine with double knot tying means that even Ultra density bales are tied with just six knotters.

- Specially developed stronger twine
- Superb strength
- Exceptional knotting performance
- Easy to tie
- Twine flows freely from spools
- Large spools reduce downtime
- Overall twine cost savings

Automatic control delivers consistent Ultra density



C1000



C2100

All baling operations are controlled easily via the fully ISOBUS compatible C1000 terminal and new exclusive **BaleCreate** user interface.

The modern layout, with a choice of display screens, puts comprehensive control at the operator's fingertips.

The **BaleCreate** home screen shows an overhead view of the baler, enabling operators to set and monitor a wide range of baler functions. Graphics indicate the load on each side of the plunger, with arrows guiding operators down uneven windrows.

BaleCreate loads automatically onto any ISOBUS compliant tractor terminal, displaying exactly the same screen and functions.

Highlights

For customers wanting a separate terminal, we offer:

- The entry-level C1000 with a 7in colour screen
- The premium C2100 with a 12in colour touch-screen

Both are optional and ISOBUS compatible.

- Exclusive BaleCreate user interface
- Clear, logical screen layout
- Intuitive operation
- ISOBUS compatible for use on all compliant terminals

Benefit from MF Services outstanding back-up



Massey Ferguson's comprehensive dealer network delivers dedicated service and dynamic support.

With a world-leading parts supply and technical expertise from trained technicians, Massey Ferguson dealers deliver unrivalled in-field support, service and maintenance to ensure your investment keeps working for you.

Talk to your dealer about this and other outstanding finance packages.

- World-leading genuine AGCO parts support
- Benefit from outstanding technical expertise
- Choose finance options to suit your business

Simple servicing cuts downtime

Smart design and modern engineering come together to deliver unrivalled reliability, improve durability and to ease routine maintenance that prevents downtime.

Three easy-to-open panels provide superb access for servicing, while extensive use of maintenance-free, sealed-for-life bearings enhance longevity and reduce the number of service points.

Automatic lubrication, controlled via the BaleCreate user interface, protects the knotters and chains from wear, while gearbox levels are checked easily using clear sight gauges.

Prompt and effective preventative maintenance cuts downtime, keeping your Massey Ferguson baler working for longer.

- Straightforward design reduces routine maintenance
- Sealed-for-life bearings improve durability
- Automatic lubrication of chains and knotters
- Sight gauges for gearbox oil level checks



Specifications

		MF 2370 UHD	
Bale Size			
Cross section (width x height)	mm	1200 x 900	
Length	mm	1000 to 2740	
Dimensions and Weights			
Overall width - 620/50-22.5	mm	3000	
Overall width - 620/55-26.5	mm	3000	
Overall width - 710/55-26.5	mm	3200	
Overall length – bale chute folded for transport	mm	9830	
Overall height – to top of hand rail (work position)	mm	3375	
Weight - Packer specification (approx.)	kg	13400	
Main Drive System			
Flywheel dimensions	mm	990 diameter x 250 width	
Flywheel weight	kg	500	
Flywheel speed	rpm	1500	
Protection	Automatic cam clutch		
Drive chain lubrication	Standard Automatic Chain Lubrication System		
Pick-up			
Effective working width (DIN 11220)	mm	2246	
Number of tine bars	#	5	
Number of double tines	#	80	
Drive protection	Slip clutch and overrun clutch		
Floatation	Dual extension springs		
Feeding System			
Packer	3 stage with 6 hardened tines		
Stuffer	Fork type with 6 hardened tines		
Protection	Slip clutch		
Plunger			
Speed	strokes/min	50	
Max plunger load	kN	760	
Length of stroke	mm	740	
Tying Mechanism			
Number / type of knotters	6 double knot		
Knotter spacing	mm	176	
Twine type	Ultra High Density twine		
Twine storage capacity	#	36 spool storage	
Knotter blower	High capacity hydraulically driven		
Knotter lubrication	Standard AutoLube		

Bale Ejector System	
Number of teeth	12
Number of selectable rows	4
Operation	Hydraulic cylinder operated from cab or rear
Bale Chute	
Heavy duty roller bale chute	Standard
Folding system for transport	Hydraulic from cab or rear
Bale weighing system	
Axles and Tyres	
Tandem steering axle tyre size	620/55-26.5 Radial
Tandem steering axle maximum rated speed *	kph 60
* where local legislation permits	
Suspension	Parabolic spring
Brake actuation	Hydraulic
Lights	
Road lighting	LED
Work and service lights	LED
Rotating beacons	2 standard
Control and Monitoring System	
User interface	BaleCreate
ISOBUS compatibility	ISOBUS 11783
Implement terminal - option 1	C1000 - 18cm (7") colour screen
Implement terminal - option 2	C2100 - 30cm (12") touch colour screen
Tractor Requirements	
Recommended horsepower	hp / kW 350 / 261
PTO type	Type III 1¾" (44mm) 20 Spline CV PTO
Hydraulics spool valve requirement	min / rec 2 / 3 double acting depending on specification
Dealer Installed Accessories	
Hydraulic parking jack	Available via AGCO Parts
Video camera	Available via AGCO Parts

		MF 2370 UHD	
Bale Ejector System			
Number of teeth		12	
Number of selectable rows		4	
Operation		Hydraulic cylinder operated from cab or rear	
Bale Chute			
Heavy duty roller bale chute		Standard	
Folding system for transport		Hydraulic from cab or rear	
Bale weighing system			
Axles and Tyres			
Tandem steering axle tyre size		620/55-26.5 Radial	
Tandem steering axle maximum rated speed *	kph	60	
* where local legislation permits			
Suspension		Parabolic spring	
Brake actuation		Hydraulic	
Lights			
Road lighting		LED	
Work and service lights		LED	
Rotating beacons		2 standard	
Control and Monitoring System			
User interface		BaleCreate	
ISOBUS compatibility		ISOBUS 11783	
Implement terminal - option 1		C1000 - 18cm (7") colour screen	
Implement terminal - option 2		C2100 - 30cm (12") touch colour screen	
Tractor Requirements			
Recommended horsepower	hp / kW	350 / 261	
PTO type		Type III 1¾" (44mm) 20 Spline CV PTO	
Hydraulics spool valve requirement	min / rec	2 / 3 double acting depending on specification	
Dealer Installed Accessories			
Hydraulic parking jack		Available via AGCO Parts	
Video camera		Available via AGCO Parts	

Every effort has been made to ensure that the information contained in this publication is as accurate and current as possible. However, inaccuracies, errors or omissions may occur and details of the specifications may be changed at any time without notice. Therefore, all specifications should be confirmed with your Massey Ferguson Dealer or Distributor prior to any purchase. Product availability or specification may vary depending on region, please consult your Massey Ferguson Dealer



MASSEY FERGUSON

A world of experience. Working with you.



Web: www.MasseyFerguson.com.au

Facebook: www.Facebook.com/MasseyFergusonGlobal

Twitter: [Twitter.com/MF_EAME](https://twitter.com/MF_EAME)

Instagram: [Instagram.com/MasseyFergusonGlobal](https://www.instagram.com/MasseyFergusonGlobal)

YouTube: www.YouTube.com/MasseyFergusonGlobal

Blog: Blog.MasseyFerguson.com



MASSEY FERGUSON® is a worldwide brand of AGCO.
© AGCO Limited, 2017 | A-A-16453/1117 | English/1117

