

# FMR UNDERVINE MOWER GEN II



INNOVATION FOR GROWTH.

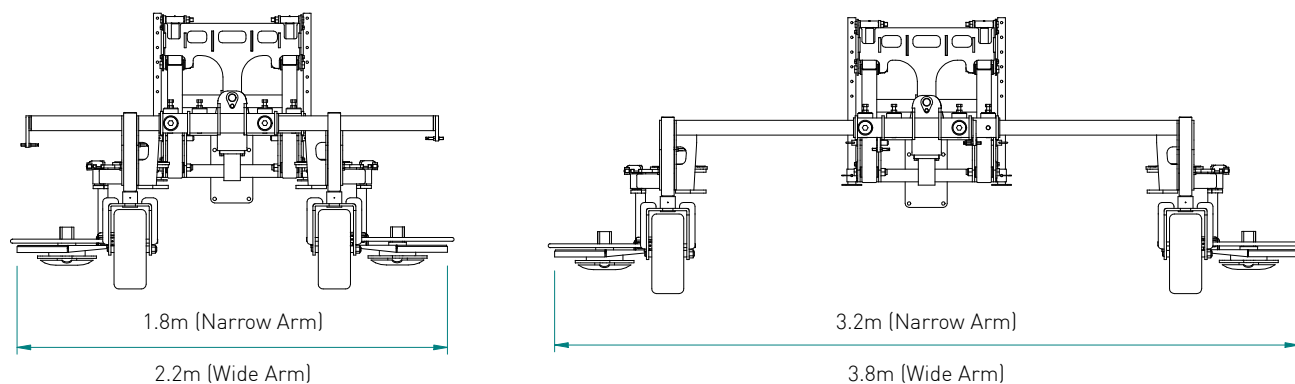
# FMR UNDERVINE MOWER GEN II

The FMR Undervine Mower Gen II offers the grape grower a robust and efficient solution for control of vegetation in the undervine zone. Whether you are an organic vineyard with a herbicide free program or just wanting to reduce the amount of chemicals you use in the vineyard the FMR Undervine mower is the right choice. The unique parallelogram mowing head system means the UVM can operate at an efficient speed while maintaining an excellent cut quality. The contour following frame system and pivoting mower heads allow the UVM to operate well in a variety of conditions.

## STANDARD EQUIPMENT AND FEATURES:

- Twin 500mm mower heads with anti-scalp discs
- ERO front mounting system
- Hydraulic width adjust from 1.8m rows to 3.2m
- Hydraulic height adjust
- Override on individual heads
- Only single set of remotes required
- Solid filled ground wheels
- Centre pivot on frame for contour following

## MODEL DIMENSIONS:



### FMR GROUP LIMITED NEW ZEALAND

2 Warwick Street, Mayfield, Blenheim 7201, New Zealand  
Postal Address : PO Box 158, Blenheim 7240, New Zealand  
Telephone : +64 3 572 5150 | Freephone: 0800 367 583  
Email: info@fmrgroup.co.nz | [FMRGROUP.CO.NZ](http://FMRGROUP.CO.NZ)

### FMR GROUP LIMITED AUSTRALIA

53 Oborn Road, Mount Barker, South Australia 5251, Australia  
Postal Address : PO Box 1059, Mount Barker 5251, Australia  
Telephone : +61 8 8391 5947 | Freephone: 1800 269 773  
Email: info@fmrgroup.com.au | [FMRGROUP.COM.AU](http://FMRGROUP.COM.AU)

